

Dane aktualne na dzień: 26-04-2026 12:26

Link do produktu: <https://utih.pl/zlaczka-hydrauliczna-redukcyjna-18x14-warynski-p-30370.html>



Złączka hydrauliczna redukcyjna 1/8'x1/4' WARYŃSKI

| | |
|--|----------------------|
| Cena | 4,99 zł |
| Numer katalogowy | W-5005050204 |
| Kod producenta | W-5005050204 |
| Kod EAN | 5902287192711 |
| Waga produktu z opakowaniem jednostkowym | 0.3 |
| Numer katalogowy części | W-5005050204 |
| EAN (GTIN) | 5902287192711 |
| Numer katalogowy oryginału | 34.67.04.02 |

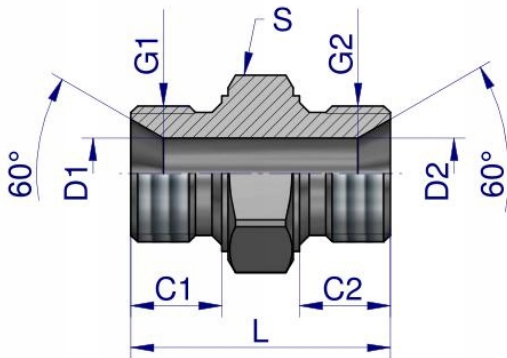
Opis produktu

Złączka hydrauliczna redukcyjna stalowa BB 1/8" x 1/4" BSP
Waryński









| Indeks | G1 | G2 | C1 | C2 | D1 | D2 | L | S |
|--------------|-----------|-----------|------|------|------|------|------|----|
| | BSPP | BSPP | mm | mm | mm | mm | mm | mm |
| W-5005050202 | 1/8"-28 | 1/8"-28 | 9,0 | 9,0 | 3,5 | 3,5 | 26,5 | 14 |
| W-5005050204 | 1/4"-19 | 1/8"-28 | 11,0 | 9,0 | 4,7 | 3,5 | 28,0 | 19 |
| W-5005050404 | 1/4"-19 | 1/4"-19 | 11,0 | 11,0 | 4,7 | 4,7 | 30,0 | 19 |
| W-5005050406 | 3/8"-19 | 1/4"-19 | 12,0 | 11,0 | 7,9 | 4,7 | 34,0 | 22 |
| W-5005050606 | 3/8"-19 | 3/8"-19 | 12,0 | 12,0 | 7,9 | 7,9 | 35,0 | 22 |
| W-5005050408 | 1/2"-14 | 1/4"-19 | 14,0 | 11,0 | 11,1 | 4,7 | 37,0 | 27 |
| W-5005050608 | 1/2"-14 | 3/8"-19 | 14,0 | 12,0 | 11,1 | 7,9 | 40,0 | 27 |
| W-5005050808 | 1/2"-14 | 1/2"-14 | 14,0 | 14,0 | 11,1 | 11,1 | 40,0 | 27 |
| W-5005051010 | 5/8"-14 | 5/8"-14 | 16,0 | 16,0 | 14,0 | 14,0 | 43,0 | 30 |
| W-5005050412 | 3/4"-14 | 1/4"-19 | 16,0 | 11,0 | 16,7 | 4,7 | 41,0 | 32 |
| W-5005050612 | 3/4"-14 | 3/8"-19 | 16,0 | 12,0 | 16,7 | 7,9 | 41,0 | 32 |
| W-5005050812 | 3/4"-14 | 1/2"-14 | 16,0 | 14,0 | 16,7 | 11,1 | 45,0 | 32 |
| W-5005051012 | 3/4"-14 | 5/8"-14 | 16,0 | 16,0 | 16,7 | 14,0 | 43,0 | 32 |
| W-5005051212 | 3/4"-14 | 3/4"-14 | 16,0 | 16,0 | 16,7 | 16,7 | 45,0 | 32 |
| W-5005050816 | 1"-11 | 1/2"-14 | 19,0 | 14,0 | 22,2 | 11,1 | 48,0 | 41 |
| W-5005051216 | 1"-11 | 3/4"-14 | 19,0 | 16,0 | 22,2 | 16,7 | 50,0 | 41 |
| W-5005051616 | 1"-11 | 1"-11 | 19,0 | 19,0 | 22,2 | 22,2 | 53,0 | 41 |
| W-5005051220 | 1 1/4"-11 | 3/4"-14 | 20,0 | 16,0 | 28,6 | 16,7 | 53,0 | 50 |
| W-5005051620 | 1 1/4"-11 | 1"-11 | 20,0 | 19,0 | 28,6 | 22,2 | 57,0 | 50 |
| W-5005052020 | 1 1/4"-11 | 1 1/4"-11 | 20,0 | 20,0 | 28,6 | 28,6 | 57,0 | 50 |

Złączka hydrauliczna redukcyjna calowa BB 1/8" x 1/4" BSP Waryński. Elementy złączne zostały zaprojektowane i wykonane zgodnie z obowiązującymi normami, które szczegółowo opisują wymagania jakościowe i wymiarowe. Są kompatybilne z elementami złącznymi innych renomowanych producentów hydrauliki siłowej.



WARYŃSKI Origin